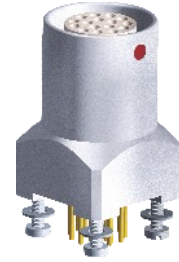
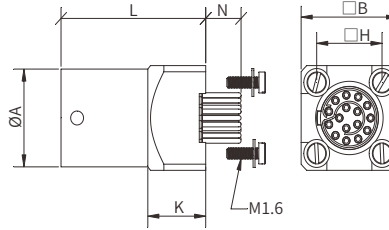


FHG Straight Socket, Contact For Printed Circuit, Key(G)

- Connector series: FHG
 - Contact: Female
 - Key: G(More keys, refer to page 43)
 - Locking type: Self-locking
 - Orientation type: Straight
 - Part No.: FHG.XB.XXX.CLN
 - Mated with: PSG/PAG/PCG/PBG/MSG/PLG/PPG
- Note: "X" refers to part number definition on page 17



General Information



Ambient temperature:	-55°C~+250°C
Endurance:	>5000 cycles
Insulator:	PEEK
Connector contacts:	Brass with gold plated
Housing:	Brass with Cr plated

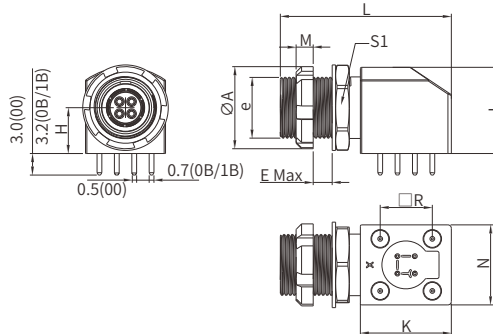
Insulation resistance:	≥100MΩ
IP rating:	IP 50
Shielding efficiency:	at 10MHz>75dB/at 1GHz>40dB
Salt spray corrosion test:	>144h

Size	Dimensions(mm)				
	A	B	H	K	L
0B	9.0	10.0	7.62	8.0	15.0
1B	11.0	12.0	7.62	8.0	19.0
2B	14.0	15.0	10.16	9.0	22.5

PCB drilling pattern(pages 169/170)

FXG Fixed Angled (90°) Socket, Key(G), Contact For Printed Circuit

- Connector series: FXG
 - Contact: Female
 - Coding: G(More coding, refer to page 43)
 - Locking type: Self-locking
 - Orientation type: Angled
 - Part No.: FXG.XB.XXX.HLN
 - Mated with: PSG/MSG series
- Note: "X" refers to part number definition on page 17



General Information



Ambient temperature:	-55°C~+250°C
Mating endurance:	>5000 cycles
Insulator:	PEEK
Connector contacts:	Brass with gold plated
Coupling nut/screw:	Brass with Cr/nickel plated

Housing:	Brass with Cr plated
Insulation resistance:	≥ 100MΩ
IP rating:	IP 50
Shielding efficiency:	at 10MHz>75dB / at 1GHz>40dB
Salt spray corrosion test:	>144h

Size	Dimensions(mm)									
	A	e	M	E	S1	I	H	R	N	K
00	10	7*0.5	2.5	2.1	9.0	7.0	3.5	5.08	7.1	8.7
0B	12	9*0.6	2.5	4.5	11.0	12.7	6.7	7.62	11.7	13.3
1B	14	11*0.5	3.5	7.5	13.0	14.0	7.5	7.62	12.6	13.3

Panel Cut-out page 164; PCB drilling pattern page 169/170; The dimension " N " depends on the number of contacts, detail information see page 169